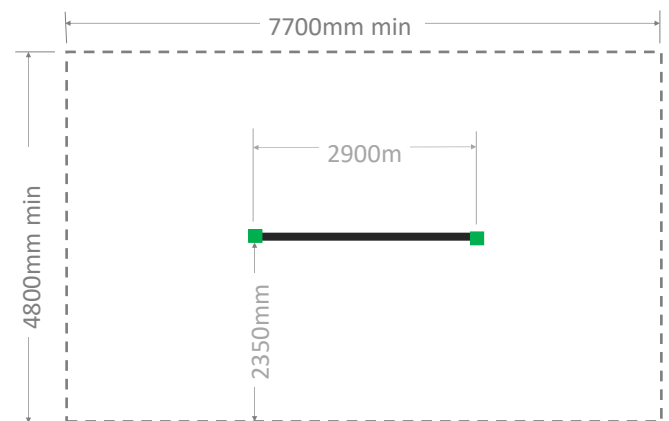
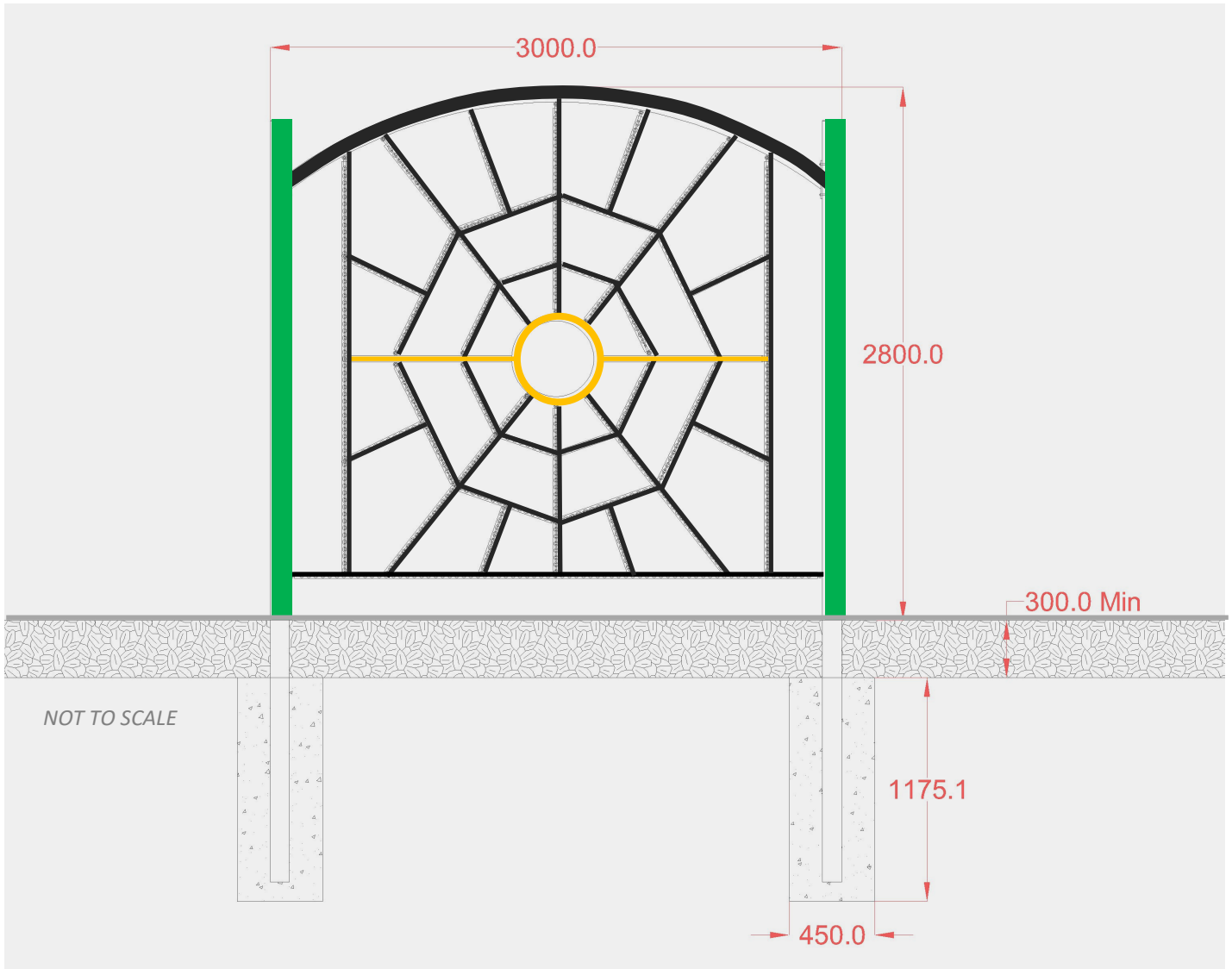


Spider Web Climb



Equipment Dimensions	3000mm w x 2800mm h x 100mm
Fall zone required	8000mm x 5000mm
Max FHO	2900mm
Designed to NZS:5828:2015 playground standard.	